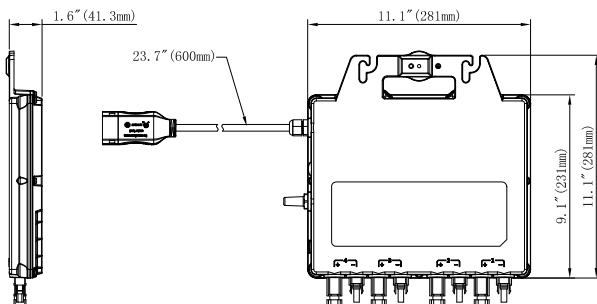


QS1

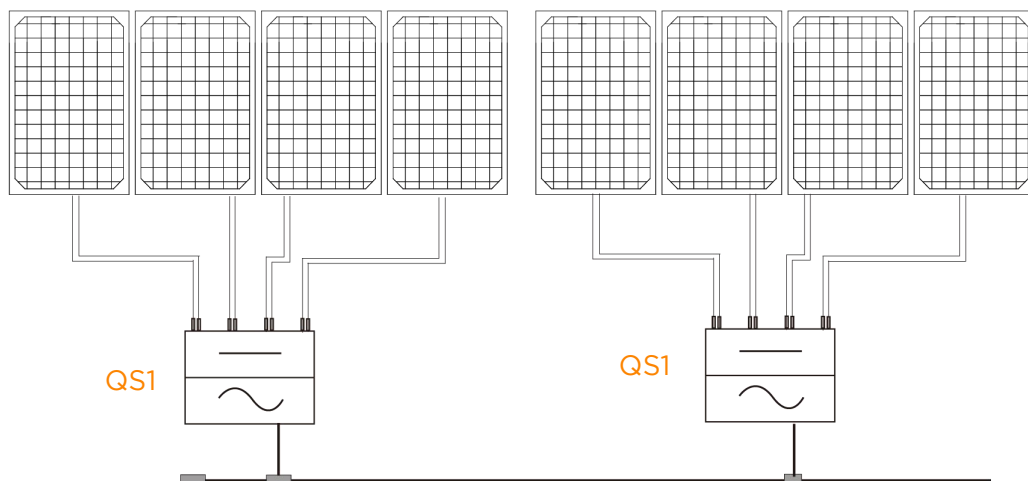
- Single unit connects up to four solar modules
- 4 input channels with independent MPPT and monitoring function
- Maximum continuous output power up to 1200VA
- Utility interactive with Reactive Power Control (RPC)

DIMENSIONS



The APsystems QS1 is a grid-tied microinverter with intelligent networking and advanced monitoring systems to ensure maximum efficiency. High efficiency, high reliability of the QS1 with 4 independent MPPT inputs, Maximum AC output power reaching 1200VA. Quarter the inverters and quarter the installation means real cost savings for residential and commercial customers.

WIRING SCHEMATIC



QS1 Microinverter Datasheet

Region

Brazil

Input Data (DC)

Recommended PV Module Power (STC) Range

250Wp-450Wp+

MPPT Voltage Range

22V-48V

Operation Voltage Range

16V-55V

Maximum Input Voltage

60V

Startup Voltage

20V

Maximum Input Current

14A x 4

Maximum DC short circuit current

16A x 4

Output Data (AC)

Maximum Continuous Output Power

1200VA

Peak Output Power

1250VA

Nominal Output Voltage/ Range

220V/ 176V-242V

Adjustable Output Voltage Range

150V-280V

Nominal Output Current

5.45A

Maximum Units per Branch

3units per 25A AC breaker

Nominal Output Frequency/ Range

60Hz/ 57.5Hz-62Hz

Adjustable Output Frequency Range

55Hz-65Hz

Output Power Factor Rating

>0.99 (-0.8 - 0.8 adjustable)

Total Harmonic Distortion

<3%

Maximum Output Fault Current (AC) And Duration

137 Apk, 0.78 ms of duration

Maximum Output Overcurrent Protection

10A

Efficiency

Peak Efficiency

96.5%

Nominal MPPT Efficiency

99.5%

Night Power Consumption

30mW

Mechanical Data

Operating Ambient Temperature Range

-40°F to +149°F (-40 °C to +65 °C)

Storage Temperature Range

-40°F to +185°F (-40 °C to +85 °C)

Dimensions (W x H x D)

11.1" x 9.1" x 1.6" (281mm x 231mm x 41.3mm)

Weight

9.9lbs (4.5kg)

AC Bus Maximum Current

25A

DC Connector Type

Stäubli MC4 PV-ADBP4-S2&ADSP4-S2

Enclosure Environmental Rating

IP67

Cooling

Natural Convection - No Fans

Features

Communication (Inverter To ECU)

Wireless

Transformer Design

High Frequency Transformers, Galvanically Isolated

Monitoring

Via EMA* Online Portal

Certificate & Compliance

Compliance

ABNT NBR 16149:2013; ABNT NBR 16150:2013;
ABNT NBR IEC 62116: 2012

*APsystems online Energy Management Analysis (EMA) platform



Specifications subject to change without notice - please ensure you are using the most recent update found at latam.APsystems.com

© All Rights Reserved

APsystems en Guadalajara:

AV. Lazaro Cardenas 2850-5o Piso, Colonia Jardines del Bosque C.P. 44520, Guadalajara, Jalisco

+52 (33) 3188 4604 | info.latam@apssystems.com